

## LT LED Searchlight

### APPLICATION



- LT maybe first successful application of LED light source to searchlight in the world;
- LT 800W led searchlight(TSLST-800W) replace the original 2000W(Francis L560RC);
- Adjustable lamp focus, 1° spot to 8° flood;
- Lamp life over 10000hours (original only 400hours)

### PART NUMBERS

Type	Supply	Part Number
TSLST-160W	115/240v	S2013016
TSLST-800W	115/240v	S2013080
TSLST-2000W	115/240v	S2013200

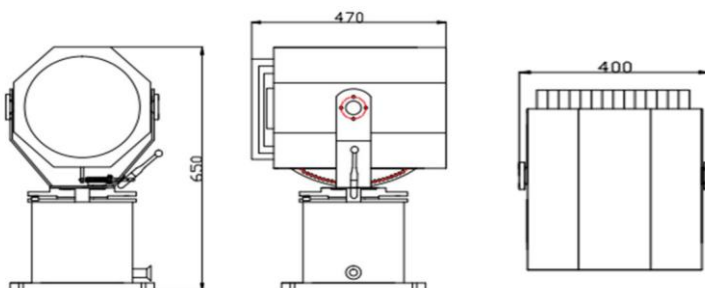
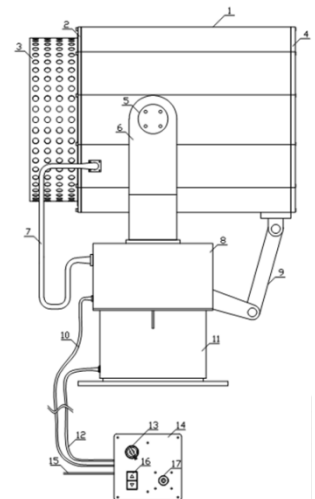


### SPECIFICATION

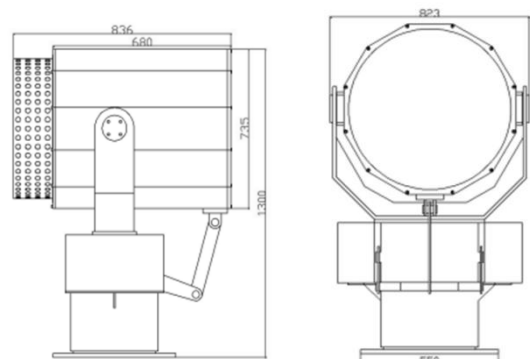
- Power Led module light source;
- Remote pan rotation 385°;
- Remote elevation control  $\pm 20^\circ$  ;
- Full variable speed gearbox 1 - 20 /sec (Pan) 1 - 10 /sec Tilt);
- Operation ambient temperature range  $-40^\circ\text{C} \sim +70^\circ\text{C}$ ;
- Effective weather sealing to IP66

### PERFORMANCE DATA

- Supply voltage 220/240v or 110/115v
- Peak Beam angle 1°-8°
- Supply power 160W 800W 2000W
- Range 30000M 50000M 10000M
- RxHxW(mm) 470\*400\*650 723x1200x836 823x1300x836
- Weight 100KG 200KGs 240 KGs
- Temperature range  $-40^\circ\text{C}$  to  $+50^\circ\text{C}$



TS-SS-160W dimension



TS-SS-2000W dimension

For more information, please query



**LT LIGHTING**  
朗天照明

LT Lighting Co LTD

Http: [www.lighting-lt.com](http://www.lighting-lt.com)